

Vacuum Filters MTF

Vacuum Filters MTF



Introduction and application

- ◆ It is widely used in vacuum systems for industrial applications to effectively prevent solid particles or dust from being sucked into vacuum pumps or systems, reducing pump wear and tear, improving pump operation reliability, extending pump life, and effectively protecting components of vacuum systems. (such as vacuum valves, vacuum meters, etc.).
- ◆ All steel structure, sturdy and durable, suitable for heavy load requirements for industrial use, seamlessly stretched metal casing with copper welded joint, high air tightness, large volumetric space, easy to clean, easy to replace filter element, fast import and export Threaded connection, special nozzle can be matched according to customer's requirements, O-ring seal is used, the maximum vacuum value is less than 1Pa standard configuration paper filter, the filtration precision is 99% (10 micron particles). Passing gas temperature: -15 to 90 degrees.

Ordering Data Vacuum Filters MTF

Type	Ordering Data
MTF002	90.08.01.00001
MTF002-1	90.08.01.00002
MTF004	90.08.01.00003
MTF003	90.08.01.00004
MTF006	90.08.01.00005

Technical Data Vacuum Filters MTF

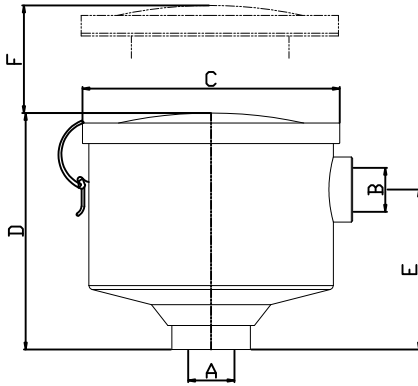
Type	Rated flow m ³ /h
MTF002	32
MTF002-1	42
MTF004	100
MTF003	120
BF006	300

Vacuum Filters MTF



Design Data Vacuum Filters MTF

MTF



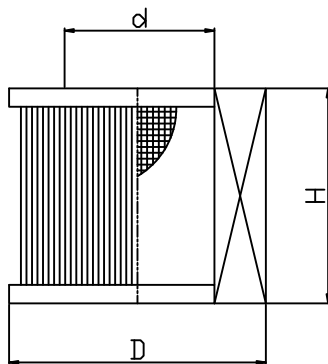
Type	Dimensions[mm]							Weight [kg]
	*A(Inch)	*B(Inch)	C	D	E	F		
MTF002	G1/2"	G1/2"	Φ 101	90	53	70	1	
MTF002-1	G3/4"	G3/4"	Φ 101	90	53	70	1	
MTF004	G1 1/4"	G1 1/4"	Φ 146	110	70	75	1.4	
MTF003	G1 1/4"	G1 1/4"	Φ 185	170	115	130	2.3	
MTF006	G2"	G2"	Φ 222	258	125	240	6.9	

Note: dimension A,B is pipe thread G. NP in u.s. and BSP in u.k.



Design Data Filter element

MTF filter element



Type	Dimensions[mm]			
	Filter consumables	external diameter[D]	internal diameter [d]	Height[H]
MTF002	FE002	Φ 65	Φ 38	69
MTF002-1	FE002	Φ 65	Φ 38	69
MTF004	FE004	Φ 98	Φ 60	70
MTF003	FE003	Φ 128	Φ 64	125
MTF006	FE006	Φ 150	Φ 88	222